

# KL 2500 LED

Highest performance for superior demand



The KL 2500 LED is the performance leader in cold light sources from SCHOTT with a LED light engine. Due to its high light output and special features it complies with advanced requirements in life science and industrial applications of stereo microscopy and macroscopy.

The brightness is equivalent to a 250 W halogen cold light source.

General data		
Part-No.		250 400
Dimensions (W x D x H)	(mm) / (inch)	114 x 231 x 4.5" x 137/9.1" x 5.4"
Weight	(kg)	Approx. 3.6
Cooling		Low-noise fan
Electrical data		
Operating voltage, frequency		90 – 264 V ~, 47 – 63 Hz
Input voltage	(V)	24 V
Power consumption	(VA)	Max. 80
Protection class		II
Overvoltage category		II
LEDs	(W)	9 High-Power-LED white
Average LED life time	(h)	50.000 <sup>1</sup>

Illumination data		
Light flux	(lm)	1.100 <sup>2</sup>
Color temperature	(k)	Approx. 5.600
Light control		Electrical
Active light guide diameter	(mm) / (inch)	Max. 9/Max. 0.35"

Certification marks		
Marking	<b>CE</b>	(power supply CE, UL, PSE)
EMV-class	B	

Note: country specific power cord must be ordered separately!

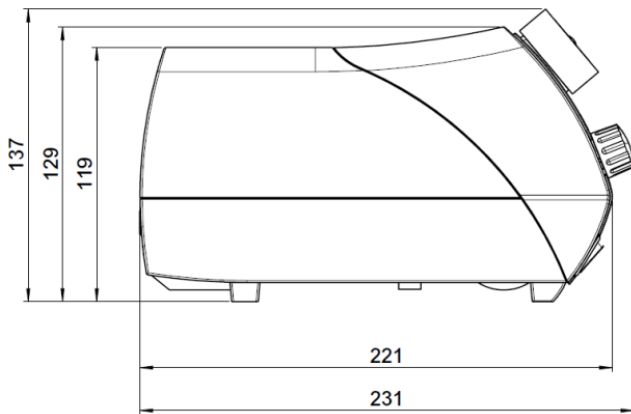
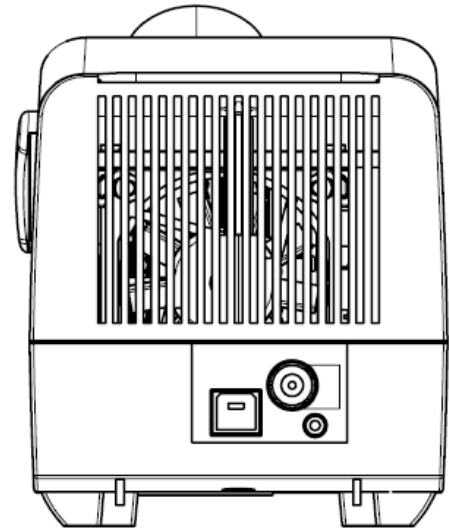
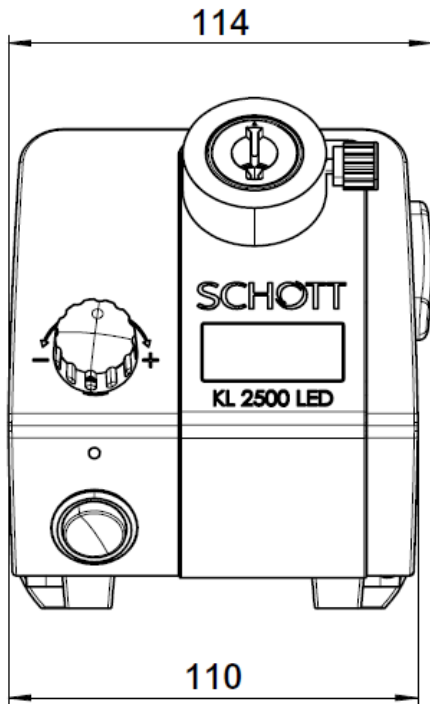
## Features:

- Multiple-chip white LED light engine
- Continuous dimming from 0 to 100%
- Compact high quality housing with integrated handle
- Small footprint and additional iron ballast for stability when use with goosenecks
- Filter slider with two positions (filter can remain in the light source even if it is not used)
- 1.100 Lumens output at light guide end (light guides with active diameter of 9 mm)
- PC controllable via USB
- Connection for foot switch and remote control
- Intensity control at three sensitivities (fine, standard and coarse tuning)
- LCD display indicates brightness setting, operation mode, or error code
- Electronic shutter function

<sup>1</sup> max. decline of light output to 70% of origin level

<sup>2</sup> at the output of SCHOTT fiber optic light guide, 1-arm, flexible, Ø 9 mm active, length 1000 mm

KL 2500 LED



All specifications are subject to change without prior notice. This datasheet or any extracts thereof may only be used in other publications with express permission of SCHOTT. © SCHOTT AG

Lighting and Imaging  
**SCHOTT AG**  
Hattenbergstrasse 10  
55122 Mainz  
Germany  
Phone: +49 (0) 6131/66-7796  
Fax: +49 (0) 6131/66-7850  
lightingimaging@schott.com  
www.schott.com/lightingimaging

